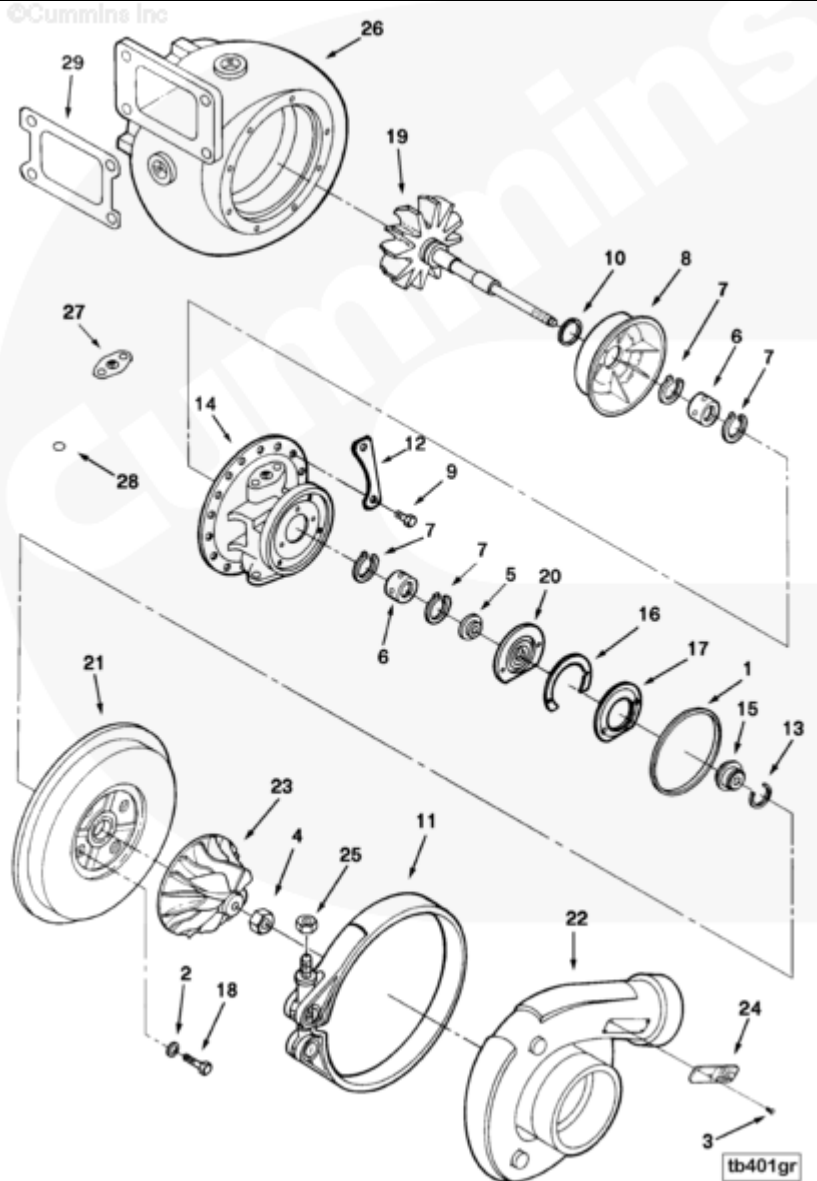




Parts Catalog - Option Detail

Electronic Parts Catalog - Option Detail				
Option	Group	Graphic	Film Card	Date
PP2404-04	10.06	tb401gr	K38	09-JUN-05
Engines	GTA38, K38, KTA38GC CM558, QSK38 CM2150 K106, QSK38 CM2150 MCRS, QSK38 CM850 MCRS			



[SMALL](#) | [MEDIUM](#) | [LARGE](#)

Cart	Ref No	Part Number	Part Description	Required	Remarks
<input type="button" value="View My Cart"/>					
		PP2404-04	Turbocharger		

<input type="checkbox"/>		3800907	Turbocharger	2	
<input type="checkbox"/>		3594172	Turbocharger	1	Serviced as 3800907.
<input type="checkbox"/>	1	3502449	Rectangular Ring Seal	1	
<input type="checkbox"/>	2	3504967	Plain Washer	4	Holset Part Sold Only In Kits
<input type="checkbox"/>	3	3519163	Drive Screw	2	
<input type="checkbox"/>	4	3519535	Lock Nut	1	M11 x 1.00
<input type="checkbox"/>	5	3591522	Thrust Collar	1	
<input type="checkbox"/>	6	3519627	Turbocharger Bearing	2	
<input type="checkbox"/>	7	3519641	Retaining Ring	4	
<input type="checkbox"/>	8	3536588	Turbocharger Heat Shield	1	
<input type="checkbox"/>	9	3521225	Hexagon Head Set Screw	8	M8 X 1.25 X 16.
<input type="checkbox"/>	10	3521442	Split Ring Seal	1	
<input type="checkbox"/>	11	3522631	V Band Clamp	1	
<input type="checkbox"/>	12	3522904	Lock Plate	4	
<input type="checkbox"/>	13	3523412	Split Ring Seal	1	
<input type="checkbox"/>	14	3594555	Turbocharger Bearing Housing	1	
<input type="checkbox"/>	15	3523980	Oil Slinger	1	
<input type="checkbox"/>	16	3524418	Shim	1	
<input type="checkbox"/>	17	3524419	Oil Baffle	1	
<input type="checkbox"/>	18	3525073	Hexagon Head Set Screw	4	M8 x 1.25 x 25
<input type="checkbox"/>	19	3521033	Shaft Wheel Rotor	1	
<input type="checkbox"/>	20	3536914	Turbocharger Thrust Bearing	1	
<input type="checkbox"/>	21	3538455	Turbocharger Diffuser	1	
<input type="checkbox"/>	22	3527369	Compressor Housing	1	
<input type="checkbox"/>	23	3533703	Turbocharger Compressor Impeller	1	
	24	3527619	Dataplate	1	
<input type="checkbox"/>	25	3529372	Regular Hexagon Nut	1	1/4 - 28 UNF
	26	4035615	Turbine Housing	1	
<input type="checkbox"/>	27	3202117	Connection Gasket	1	
<input type="checkbox"/>	28	3037537	O-Ring Seal	1	

<input type="checkbox"/>	29	3171368	Turbocharger Gasket	1	
--------------------------	----	-------------------------	---------------------	---	--

© 2019 Cummins Inc., Box 3005, Columbus, IN 47202-3005 U.S.A.
Terms of Use and Disclaimers | Recommended System Requirements
Need Assistance? Please click on the Contact Us button in the top right corner of any page.